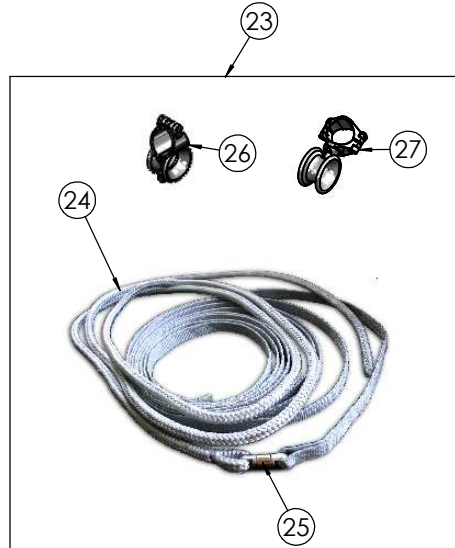
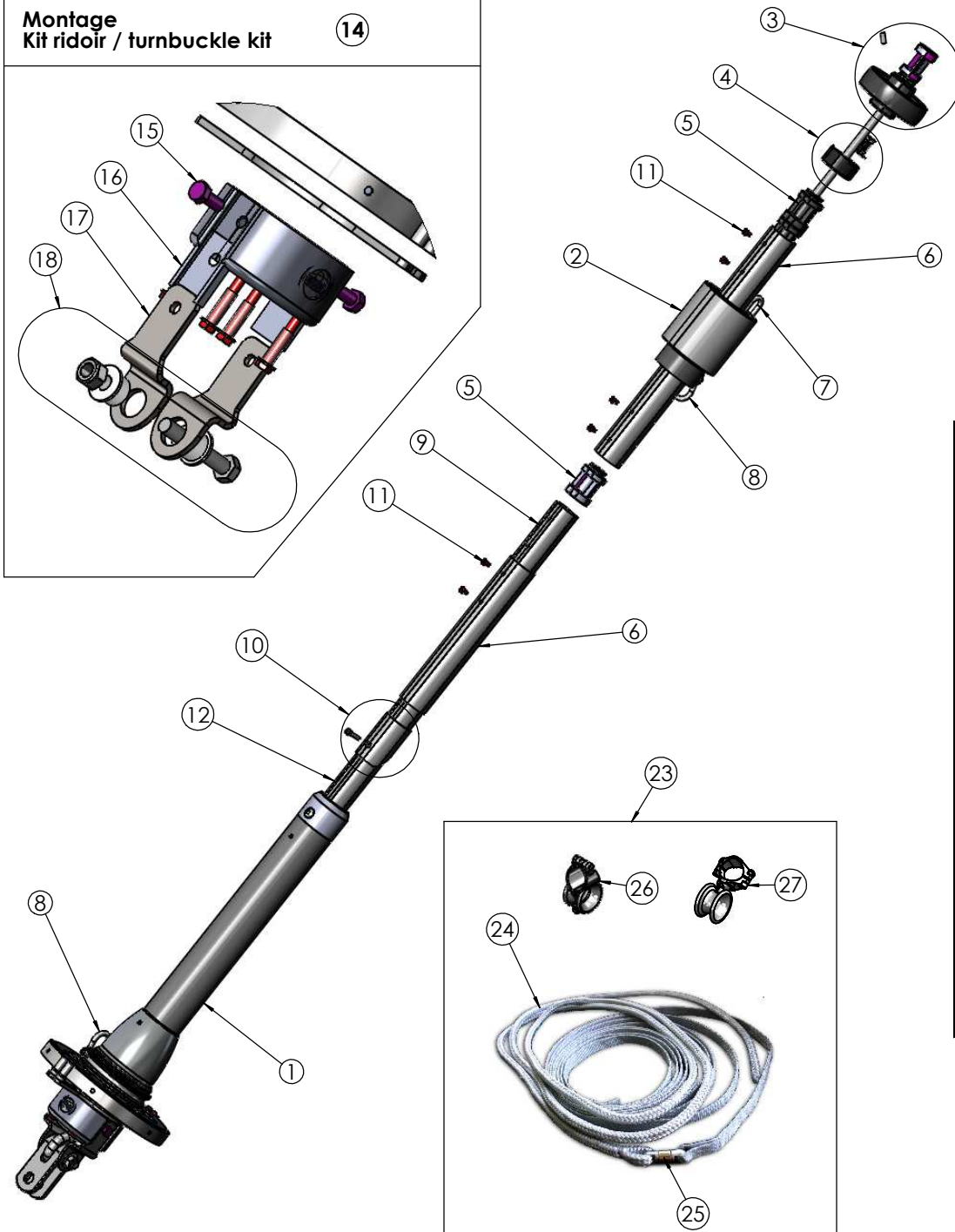
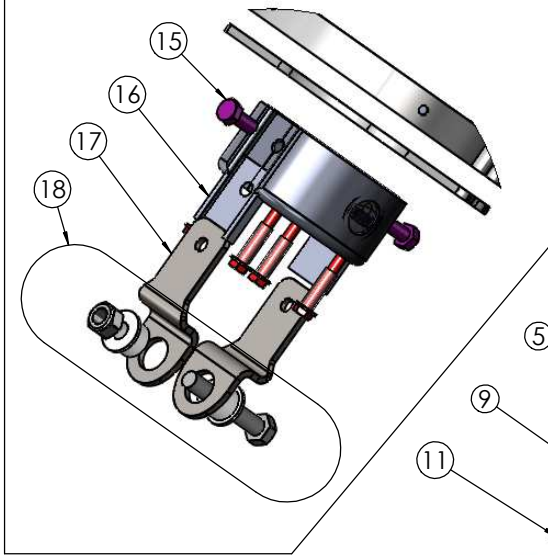


Montage
Kit ridoir / turnbuckle kit

14



facnor[®]
FURLING SYSTEMS

ECLATE ENROULEUR FD / EXPLODED VIEW OF FD FURLING SYSTEM

REP	DESIGNATION	DESCRIPTION
1	Tambour complet	Complete drum
2	Emerillon	Swivel
3	Rondelle défectrice	Halyard deflector wheel
4	Bouchon + plaque + pige	Top cap + plate + pin
5	Palier	Bushing
6	Profil externe double gorge	Twin groove foil section
7	Manille longue	Long shackle
8	Manille lyre	Bow shackle
9	Manchon	Connector
10	Entrée de voile standard + vis	Standard sail feeder + screw
11	Vis TFHC (profil)	Screw (foil section)
12	Tube télescopique	Telescopic section
15	Vis H fixation latte (KR)	Screw upper (TK)
16	Cale plastique isolante latte (KR)	Plastic strip (TK)
17	Latte (KR)	Link plate (TK)
18	Axe + Ecrou + bague (KR)	Bottom fixing pin + bolt + bushing (TK)
22	Kit guide + visserie	Collar fixation set
23	Kit cordage complet	Complete Furling Line
24	Sangle	Webbing
25	Emerillon sangle	Webbing swivel
26	Filoir	Fairlead
27	Filoir articulé	Articulated fairlead