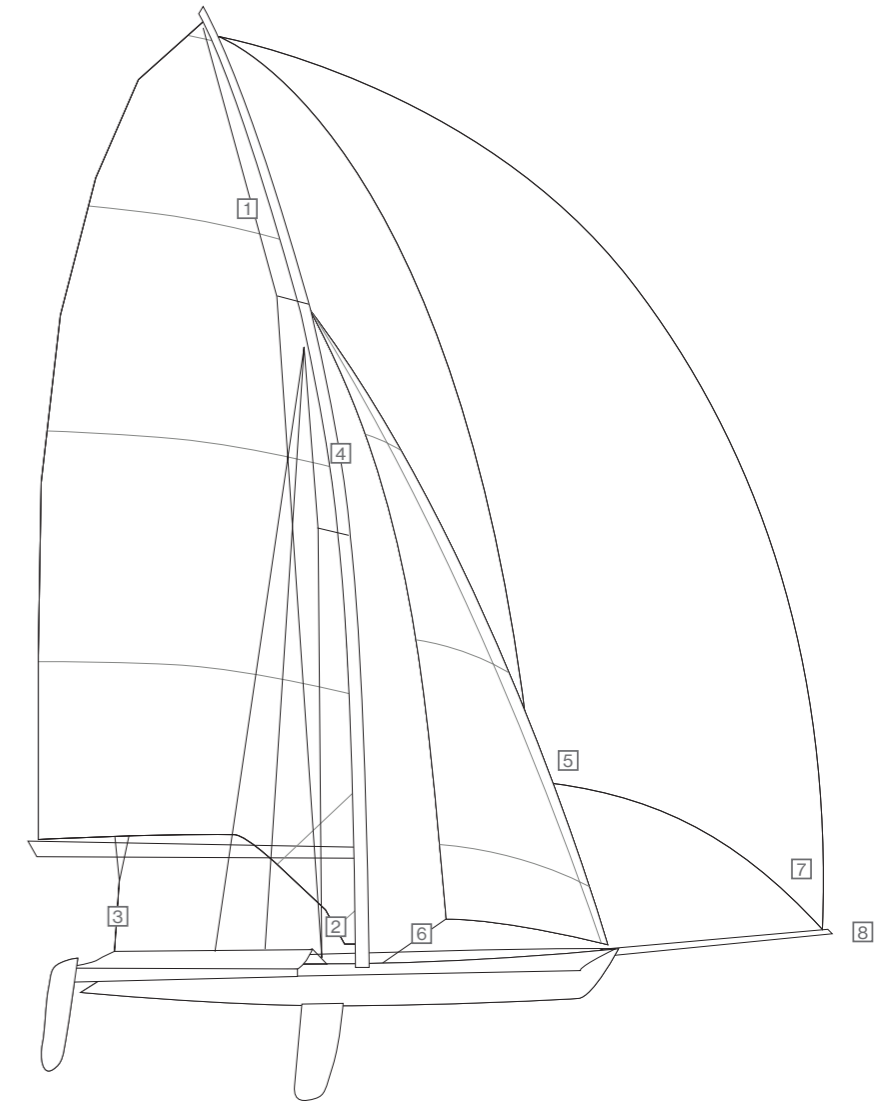


Typical fields of use

- A Racing
- B Regatta
- C Cruising
- D Dinghy & Sportsboats
- E Mooring & Anchor Lines
- F Sailmakers

Product groups

- Custom-made/Racing
- Performance
- Cruising
- Dinghy & Sportsboats
- Mooring & Anchor Lines
- Ready-made Products
- Allround Ropes
- Sailmakers
- Traditional Ropes
- Accessories



- 1 Boom lift**
- A Custom-made
 - B Admiral 3000
 - C Sirius 500/300/1000
 - C Orion 500/300
 - C Neptun 500

- 5 Backstays/Runner**
- A Custom-made
 - A Ocean 3000 XG/5000/7000
 - B Admiral 7000
 - B Globe 5000 MK2
 - B Admiral 5000

- 9 Boom vang**
- A Custom-made
 - B Admiral 5000/7000
 - B Globe 5000 MK2
 - B Admiral 3000
 - B Ocean 3000 XG/5000/7000
 - C Sirius 500/300

- 12 Spi boom downhaul**
- A Custom-made
 - B Ocean 3000 XG/5000
 - B Globe 5000 MK2
 - B Admiral 5000/7000
 - C Sirius 500/300/1000
 - C Orion 500/300

- 16 Spi gennaker halyard**
- A Custom-made
 - B Globe 5000 MK2
 - B Admiral 5000/3000
 - C Sirius 500/300/1000
 - C Orion 500/300

- 2 Spi gennaker sheet**
- A Custom-made
 - A Globe 5000 MK2
 - B Admiral 5000
 - B Admiral 3000
 - B Coppa 3000
 - C Orion 500/300
 - C Sirius 500/300

- 6 Mooring lines**
- E Monte Carlo XG
 - E Rio
 - E Rapallo
 - E Cormoran
 - E Extension Mooring
 - E Miami
 - E Portofino
 - E Riva.Flex

- 10 Anchor line**
- E Monte Carlo XG
 - E Rio
 - E Rapallo
 - E Bonifacio Winch
 - E Riva.Flex

- 13 Cunningham**
- A Custom-made
 - B Admiral 7000/5000
 - B Dinghy Star
 - B Globe 5000 MK2
 - C Sirius 500
 - C Orion 500/300

- 17 Code zero halyard**
- A Custom-made
 - A Admiral 7000
 - B Globe 5000 MK2
 - B Admiral 5000
 - B Ocean 3000 XG/5000/7000

- 3 Spi guys**
- A Custom-made
 - B Globe 5000 MK2
 - B Admiral 5000
 - B Admiral 7000
 - C Sirius 500/1000

- 7 Main sheet**
- A Custom-made
 - A Globe 5000 MK2
 - B Admiral 5000
 - B Admiral 3000
 - B Coppa 3000
 - C Sirius 500/300/1000
 - C Neptun 500

- 11 Furling line**
- A Custom-made
 - B Admiral 7000
 - B Globe 5000 MK2
 - B Ocean 3000 XG/5000
 - B Dinghy Star
 - C Sirius 500/300/1000

- 14 Spi pole uphaul**
- A Custom-made
 - B Admiral 3000/5000/7000
 - B Globe 5000 MK2
 - C Sirius 500/300/1000
 - C Orion 500/300

- 18 Main halyard**
- A Custom-made
 - B Admiral 7000
 - B Globe 5000 MK2
 - B Admiral 5000
 - C Sirius 500/300/1000
 - C Orion 500/300

- 4 Jib/Genoa sheet**
- A Custom-made
 - A Admiral 3000
 - B Coppa 3000
 - B Globe 5000 MK2
 - B Admiral 5000
 - C Orion 500/300
 - C Neptun 500

- 8 Reefing lines**
- A Custom-made
 - B Admiral 7000
 - B Globe 5000 MK2
 - B Admiral 5000

- 15 Jib/Genoa halyard**
- A Custom-made
 - B Admiral 7000
 - B Globe 5000 MK2
 - B Admiral 5000
 - C Sirius 500/300/1000
 - C Orion 500/300

- 19 Gennaker furling line**
- F GFL Ultra

- 1 Main and gennaker halyards**
- D Tapered Sheet
 - D Dinghy Polytech
 - D Dinghy Star Pro
 - D Dinghy Star
 - D Dinghy Star Pro
 - D Dinghy Control
 - D Ocean 7000
 - D Ocean 3000 XG
 - D Ocean 5000

- 4 Jib halyard**
- D Dinghy Polytech
 - D Dinghy Star
 - D Dinghy Star Pro
 - D Dinghy Control
 - D Ocean 7000
 - D Ocean 3000 XG
 - D Ocean 5000

- 7 Tack line**
- D Tapered Sheet
 - D Dinghy Polytech
 - D Dinghy Control
 - D Dinghy Star
 - D Dinghy Star Pro
 - D Coppa 3000

- 2 Boom downhaul**
- D Dinghy Polytech
 - D 8 Plaited Dinghy
 - D Dinghy Control
 - D Ocean 7000
 - D Ocean 3000 XG

- 5 Gennaker sheet**
- D Tapered Sheet
 - D Dinghy Sheet
 - D Dinghy Light
 - D Coppa 3000

- 8 Bow line**
- D Albatros

- 3 Main sheet**
- D Tapered Sheet
 - D Dinghy Coppa
 - D Coppa 3000
 - D Dinghy Sheet
 - D Dinghy Light
 - D Super Dinghy Sheet

- 6 Jib sheet**
- D Tapered Sheet
 - D Dinghy Polytech
 - D Dinghy Coppa
 - D Dinghy Sheet
 - D Dinghy Light
 - D Coppa 500